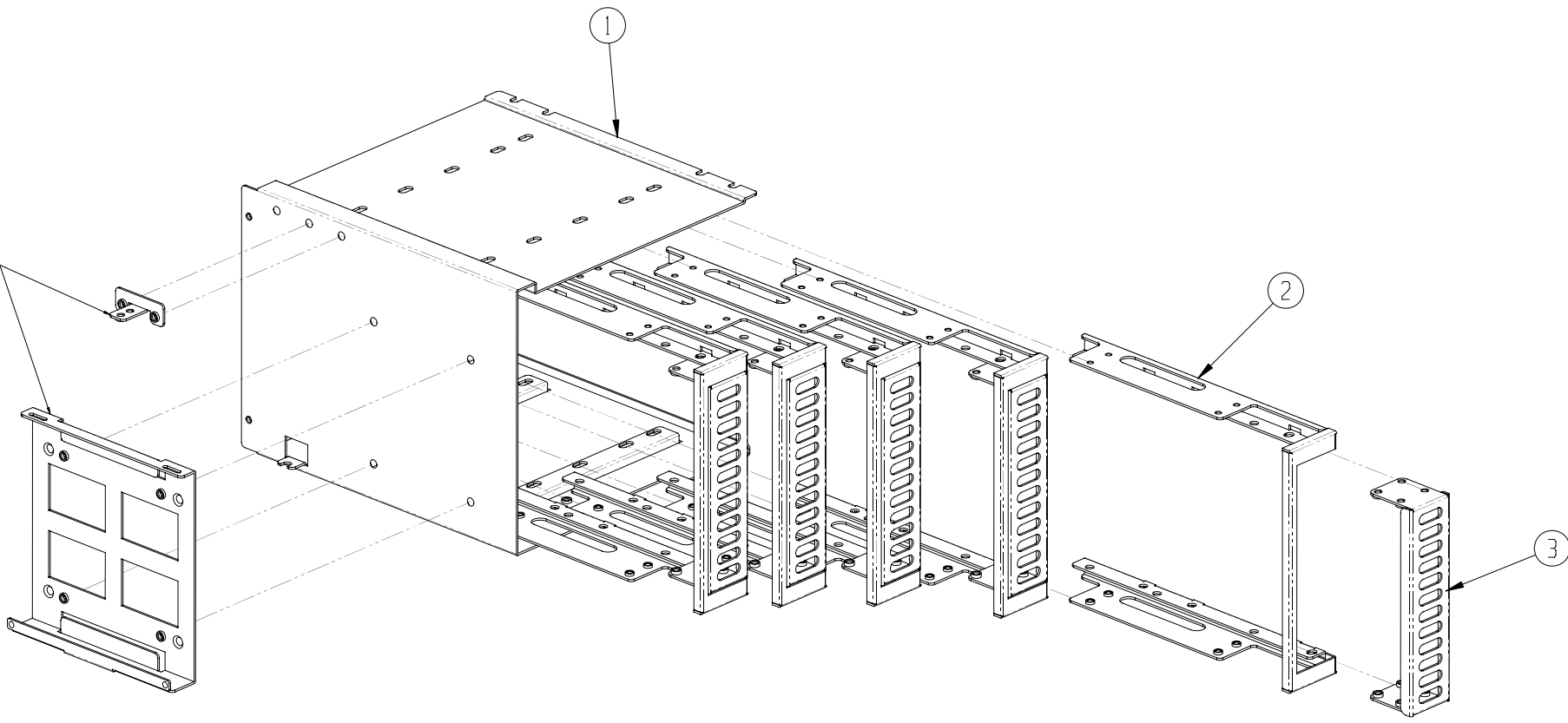

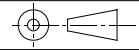


TRANSFER THESE TWO PARTS FROM STANDARD DRIVE CAGE (INCLUDED WITH CHASSIS)



ITEM	PART NUMBER	QTY	DESCRIPTION	REMARKS
001	GT0137-401	1	5-BAY DRIVE CAGE	GT
002	GT0137-402	5	5-BAY 3.5" ADAPTER	GT
003	GT0117-042	5	VENTED 3.5" BAY COVER	GT

<p>TOLERANCES UNLESS NOTED</p> <p>X.XX ±0.12</p> <p>X.X ±0.25</p> <p>X ±0.50</p> <p>ANGULAR ± 1°</p>	<p>MATERIAL</p> <p>-</p>		 <p><b>GENERAL TECHNICS, INC.</b></p> <p>INDUSTRIAL COMPUTER SYSTEMS</p>		
	<p>FINISH</p> <p>-</p>				
<p>PROPRIETARY NOTICE</p> <p>This drawing contains proprietary information of GENERAL TECHNICS INC. Any duplication or use of this drawing, in whole or in part, without a written consent from GENERAL TECHNICS INC. is strictly prohibited.</p>	<p>PROJECTION</p> 		<p>UNITS</p> <p>mm</p>	<p>TITLE</p> <p>5-BAY DRIVE CAGE</p>	
	APP	-	-	GT CID	-
	DGN	-	-	DWG NO	GT0137-400
	DRW	JAMES CETRANGELLO	1-23-07	SCALE:	1:1
				REV	00
				SHEET:	1 OF 1
				SIZE:	C

NOTES: